

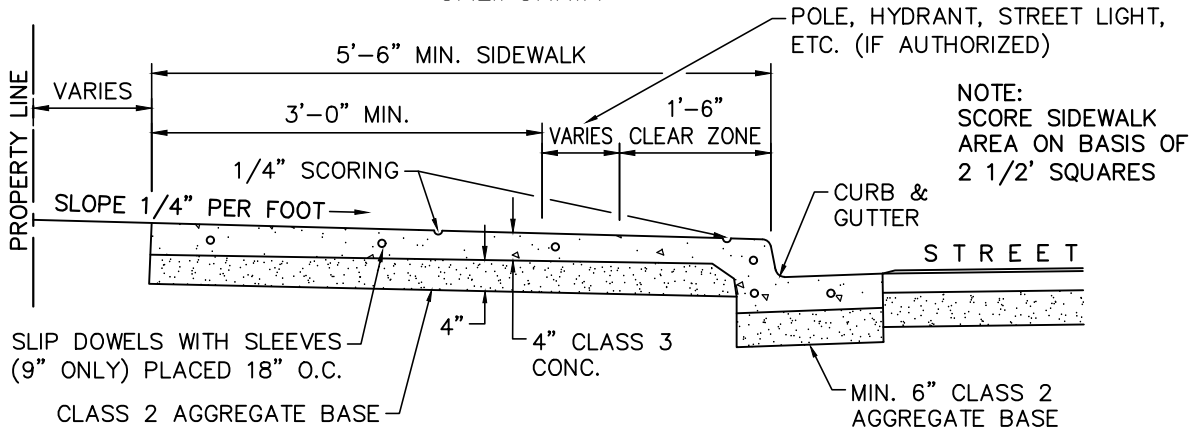
**COUNTY OF SAN MATEO DEPARTMENT
OF**

PUBLIC WORKS

REDFORD CITY
CALIFORNIA

DRAWN BY: A.Z.
CHECKED BY: K.L.
APPROVED BY: A.M.S.

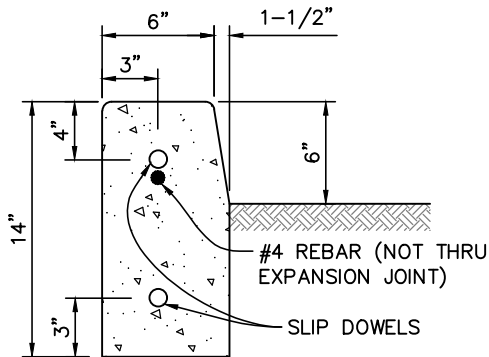
SCALE: NONE
DATE: 2-2022
REVISED: 2-2022



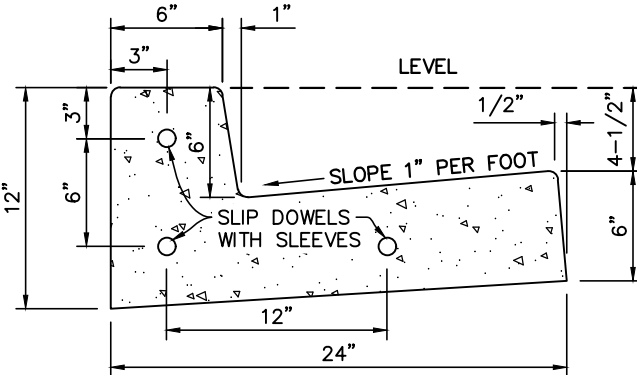
**URBAN CURB, GUTTER AND SIDEWALK
TYPICAL SECTION**

NOTES:

1. OBSTRUCTIONS SUCH AS POLES, HYDRANTS, STREET SIGNS, UTILITY BOXES, STREET LIGHTS, ETC. SHALL BE LOCATED BEHIND THE SIDEWALK, UNLESS OTHERWISE SPECIFICALLY AUTHORIZED BY THE DIRECTOR OF PUBLIC WORKS. A CLEAR ZONE ALONG THE CURB AND SIDEWALK 18 INCHES IN WIDTH (MEASURED FROM THE FACE OF THE CURB) SHALL BE KEPT CLEAR AND OPEN FROM ALL OBSTRUCTIONS. IN ADDITION, AN AREA 3 FEET IN WIDTH ALONG THE SIDEWALK, EXCLUSIVE OF THE CURB WIDTH, SHALL BE KEPT CLEAR AND OPEN FROM ALL OBSTRUCTIONS IN COMPLIANCE WITH THE STATE BUILDING CODE (PART 2, TITLE 24, C.A.C.).
2. FOR SIDEWALK ACROSS DRIVEWAYS, SEE STANDARD DRIVEWAY DETAILS.



A1-6 CURB



CURB AND GUTTER

TYPICAL SECTIONS

NOTES:

1. ALL CONCRETE TO BE CLASS 3 CONCRETE.
2. MINIMUM SIDEWALK THICKNESS = 4 INCHES PCC.
3. PLACE 1/2" DIAMETER X 18" LONG DOWELS AT EXPANSION JOINTS AS SHOWN.
4. PLACE 1/2" THICK FELT EXPANSION JOINTS FULL WIDTH 20' ON CENTER.
5. CONSTRUCT MONOLITHIC CURB, GUTTER AND SIDEWALK UNLESS OTHERWISE SPECIFICALLY AUTHORIZED BY THE DIRECTOR OF PUBLIC WORKS.
6. SUB-BASE MATERIALS WITHIN 30" OF SUBGRADE SHALL BE COMPACTED TO 95%.

CONCRETE CURB, GUTTER, AND SIDEWALK DETAILS